

## ZT-BP Series High Intensity Plate-Type Magnetic Separator

### **Brief Introduction:**

Our most recent research and development of high gradient and high intensity magnetic separator equipment is this series permanent high strength magnetic flat type magnetic separator.

It is mostly utilized for 1.2 mm fine non-metallic minerals, like nepheline, quartz, and feldspar. Moreover, red iron ore (hematite, limonite, garnet and siderite, etc.), manganese ore, ilmenite, and kaolin iron impurities removal purifying.



### **Features:**

1. The surface magnetic field strength can exceed 14000GS, the magnetic circuit design is distinct, and the magnetic field intensity is high.
2. The magnetic separation effect is superior to that of the other permanent magnetic separation of the magnetic field.
3. In contrast to other high gradient magnetic separators, it uses less energy and electricity.
4. The framework requires little upkeep and is straightforward, reasonable, and easy to utilize.

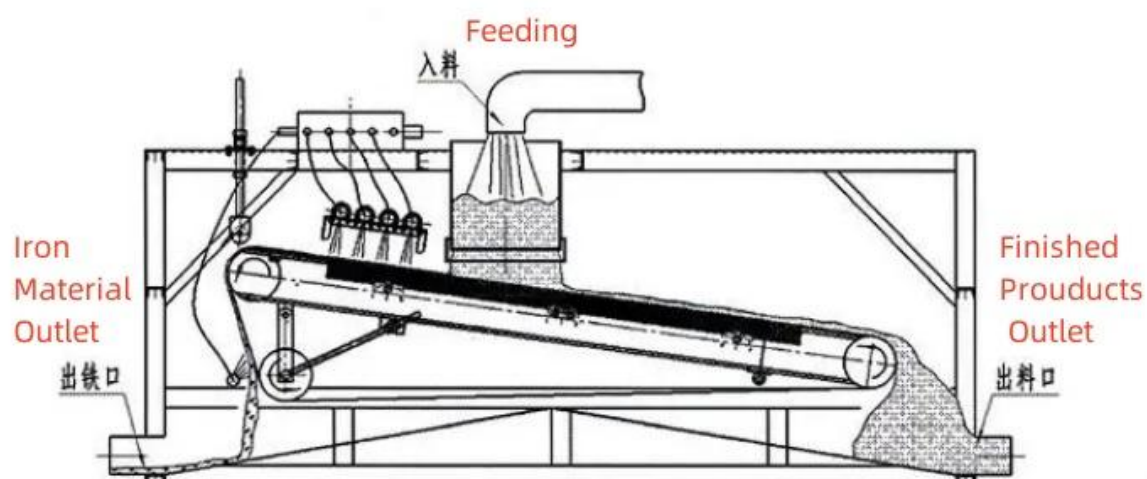
## Why Choose Us:

1. Simple structure, easy operation
2. Strong magnetic field, more complete and cleaner for iron removal
3. Low material loss, low failure rate, low energy consumption
4. High output capacity, work continuously and run smoothly
5. OEM order is acceptable, customize your needs
6. Service life of magnetic plate: 3 years+

## Operation Principle:

Through the feeding pipe, the slurry enters the magnetic separator's distribution device. Once completely dispersed, it is equally distributed throughout the iron-removing belt located on the upper portion of the magnetic plate.

The slurry flows downward along the magnetic plate's slanted direction due to gravity. Under the strong magnetic field produced by the magnetic plate, the ferromagnetic material in the slurry is firmly adsorbed on the iron-removing belt. The motor drives the belt upward in the direction of the magnetic plate, bringing the adsorbed ferromagnetic material into the iron-removing area at the same time. Enter the tailing hopper for concentrated collection after being cleansed by the flushing water.



**Specification:**

Model	Magnetic Separation Area Size	Processing Capacity	Feed Concentration	Highest Magnetic Field Strength	Granularity	Power
ZT-0815P	800*1500mm	5-8t/h	20%-25%	9000-14000gs	<2mm	1.1kw
ZT-1020P	1000*2000mm	7-10t/h	20%-25%	9000-14000gs	<2mm	1.5kw
ZT-1525P	1500*2500mm	10-15t/h	20%-25%	9000-14000gs	<2mm	2.2kw
ZT-1530P	1500*3000mm	12-18t/h	20%-25%	9000-14000gs	<2mm	3.0kw
ZT-2025P	2000*2500mm	16-20t/h	20%-25%	9000-14000gs	<2mm	4.0kw
ZT-2030P	2000*3000mm	18-22t/h	20%-25%	9000-14000gs	<2mm	5.5kw

